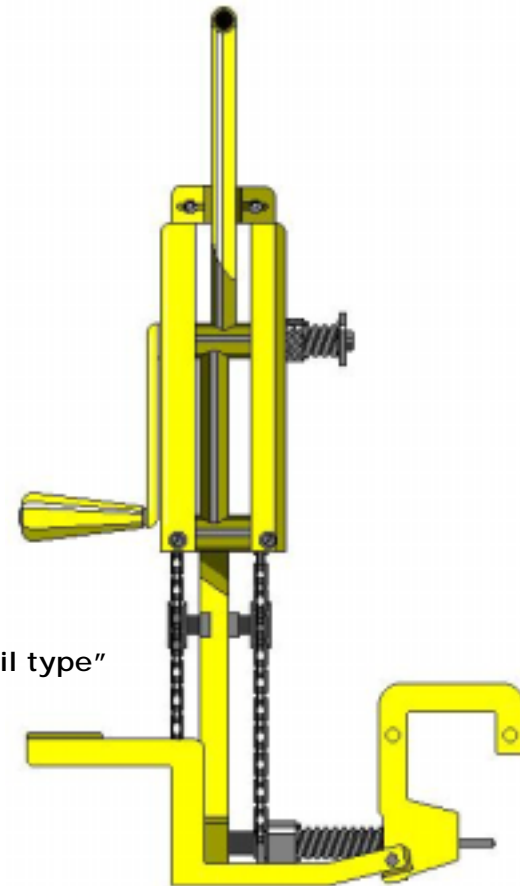




- ✓ Drills accurate 3/8" or 9/32" holes with little effort
- ✓ Automatic hole positioning (57mm from base) on FB and BH rails
- ✓ Foot operated emergency release for rapid detachment
- ✓ Easily transportable at under 10kg
- ✓ Guards fitted for safety

PBD 932 9/32" HSS Drill Bits

PBD 932C 9/32" Cobalt Drill Bits



"Abtus will manufacture to order, tools to fit any railway standard or rail type"

ABT 3466 – Hand Bond Drilling Machine

Tel: +44 (0)1440 702938 Fax: +44 (0)1440 702961 Email: info@abtus.com Web: <http://www.abtus.com>



Excellence in Railway & Marine Engineering

Registered in England No. 4204030

