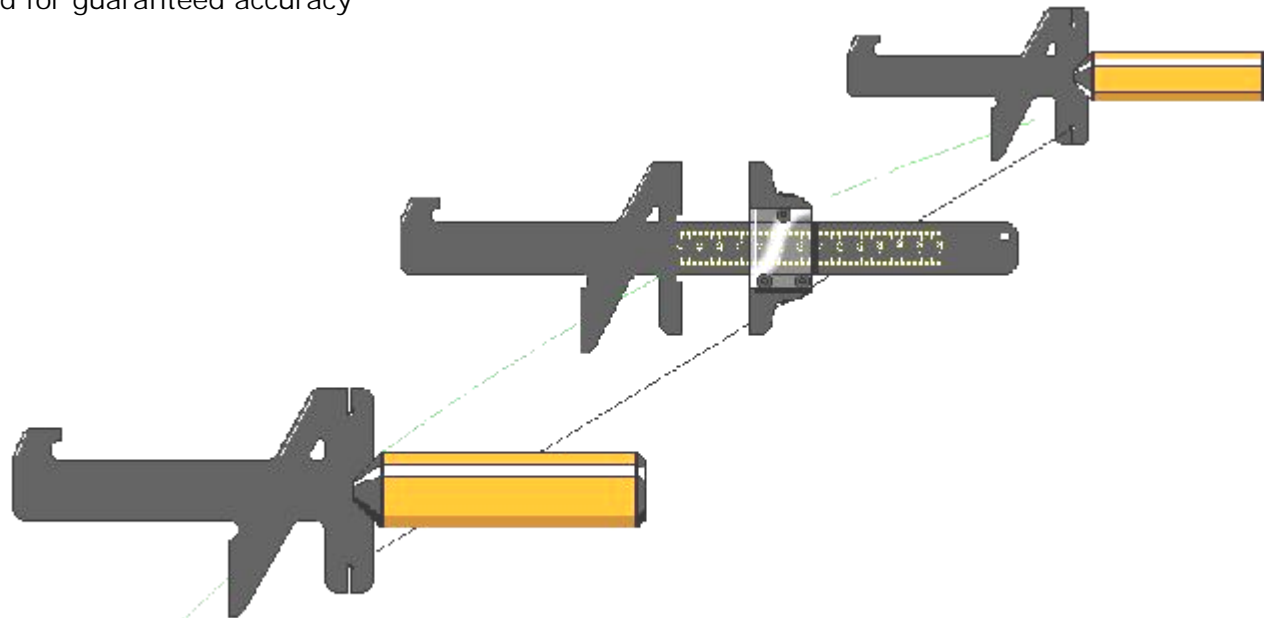




- ✓ Directly measures Versine, no calculation required
- ✓ Calibrated for use with 30, 20 and 10m chord to directly give radius value
- ✓ Also calibrated in mm (0-150mm)
- ✓ Use either way up
- ✓ String offset position will avoid formwork etc
- ✓ Fully non-conductive construction using GRP and Nylon 6
- ✓ Factory calibrated for guaranteed accuracy
- ✓ Lightweight



“Abtus will manufacture to order, tools to fit any railway standard or rail type”

### ABT 4230 – Versine Measurement Set

Tel: +44 (0)1440 702938 Fax: +44 (0)1440 702961 Email: info@abtus.com Web: <http://www.abtus.com>



Excellence in Railway & Marine Engineering

Registered in England No. 4204030

