

**WESTAIR**

# 24V dc

## Display Light

### Description

The display light is a bulkhead type fitting incorporating a tungsten filament lamp. It has been used in armoured fighting vehicles for such uses as head up warning indication, breech and instrument illumination. The light is of a spot circular pattern. Can be fitted with clear, blue or red lens.

### Construction

The lamp is constructed of aluminium alloy castings, one end casting is common to all variants and the other end casting can be supplied in one of two types, depending upon which

direction the light is required to be directed, up or down. The lamp is mounted on an AV mount with 4 fixing holes and can be supplied with or without a switch and a white, red or blue coloured lens. A MS 3102E-10SL-3P connector is provided for the incoming supply. All metallic parts of the fitting are treated to prevent corrosion and mycological attack and can be painted in any colour to meet customers' requirements.

### Installation

When fitting the lamp it must be noted that when mounting on top of a surface,

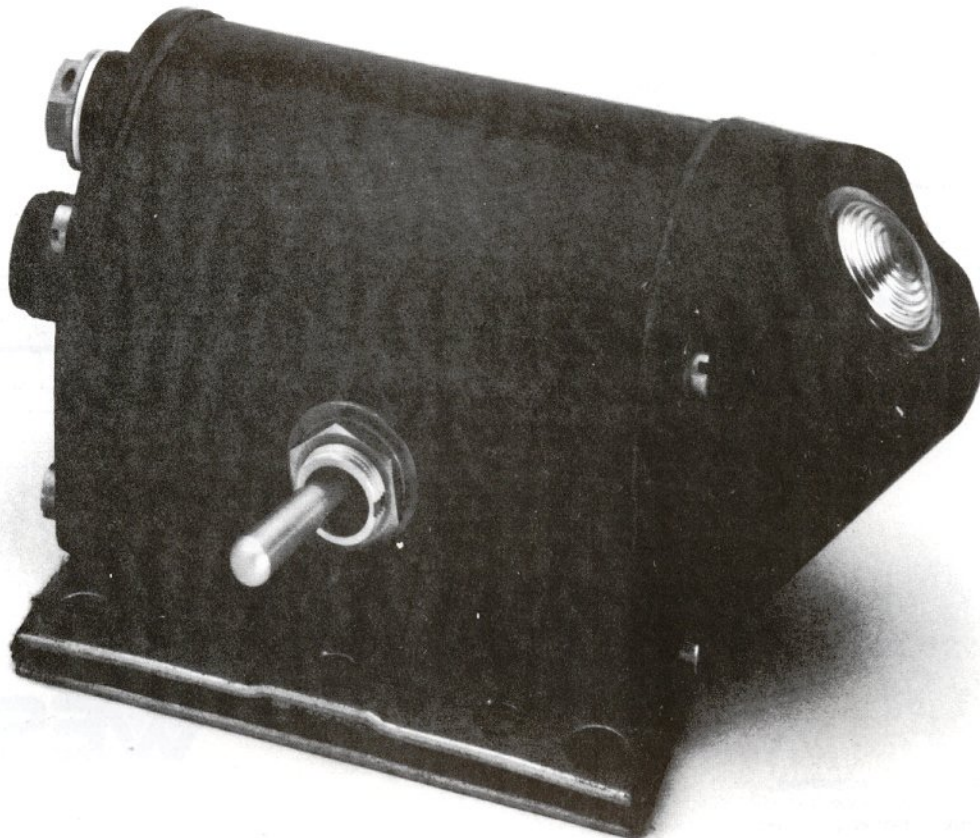
the lamp must be suspended away from the mounting surface in order that the AV mount can operate. For fixing centres, see diagram.

### Testing

Testing is in accordance with MVEE specification 2051.

### Servicing

Re-lamping can be carried out by removing the lens end casting and replacing the lamp.



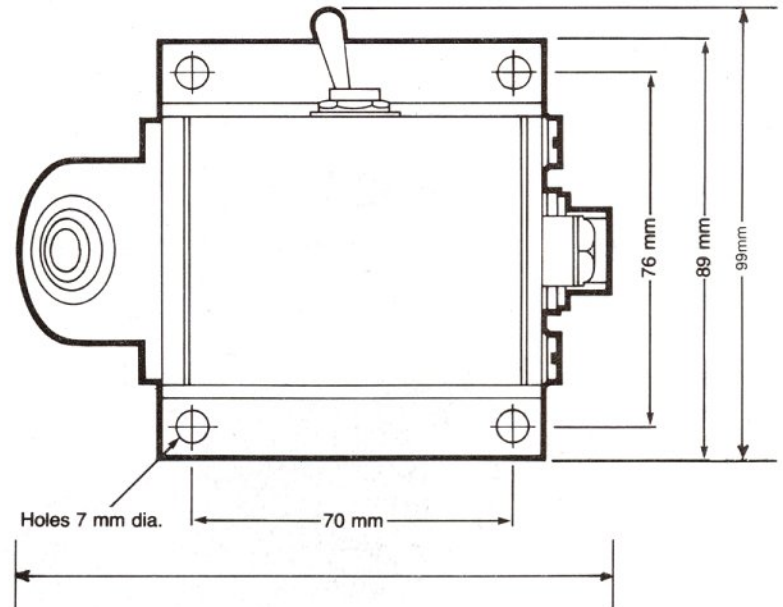
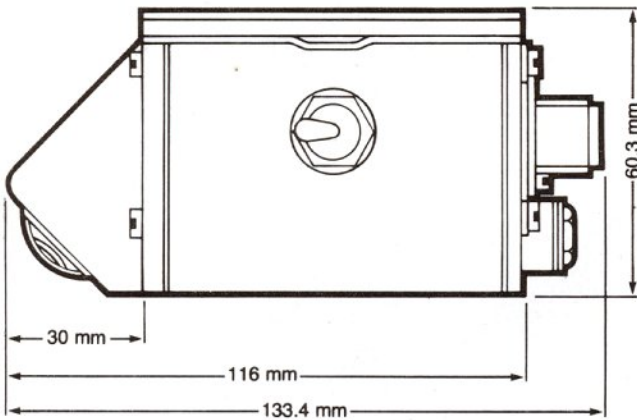
# 24V dc

## Technical Details

<b>Length</b>	133.4mm
<b>Width</b>	99mm (including switch)
<b>Height</b>	60.3mm
<b>Weight</b>	0.45kg
<b>Lamp type</b>	28V 12W SBC
<b>Operating Temperature</b>	-40°C to 49°C
<b>Storage Temperature</b>	-40°C to 60°C
<b>Supply Voltage</b>	24V DC

## Variations Available

Type	Lens Colour	Illum. Direction	Switched	Drawing No.	NATO Stock No.
No. 1 Mk. 1	Red	Up	No	FV 706727	
No. 2 Mk. 1	Red	Down	No	FV 706728	
No. 3 Mk. 1	White	Down	No	FV 706729	
No. 4 Mk. 1	White	Up	No	FV 706730	
No. 5 Mk. 1	White	Down	Yes	FV 706731	6220-99-815-8262
No. 6 Mk. 1	White	Up	Yes	FV 706732	
—	Blue	Down	Yes	C 14486	6210-99-737-5690
—	Blue	Up	Yes	C 14214	



FV 706731 is illustrated

# WESTAIR

Westair's policy is for the continuous updating of equipment. As far as possible the information given on a leaflet is correct at the time of printing but may not include the latest design improvements.