

# Military Vehicle Dual Colour Interior Lights

**Description**

This luminaire is a circular fitting, designed for use in military vehicles where facilities for dual colour operation and dimming are required. It is dust, water, shock and vibration proof. Normally a red and a white polycarbonate dome are fitted but any combination such as two white, or white/blue, can be fitted to customer's requirements.

**Construction**

The body consists of an aluminium casting, with a front cover of insulating material. This contains the lampholders and has two threaded holes to accept the polycarbonate domes. The

lampholders are insulated from the base. Dimming, if required, may be either fully variable by means of knob control, or as a single switched step. It will accept 5 watt, 24/28 volt filament lamps with B15s/15, 17 or 19 caps. The body is painted NATO Green but may be in any colour to meet customer's requirements.

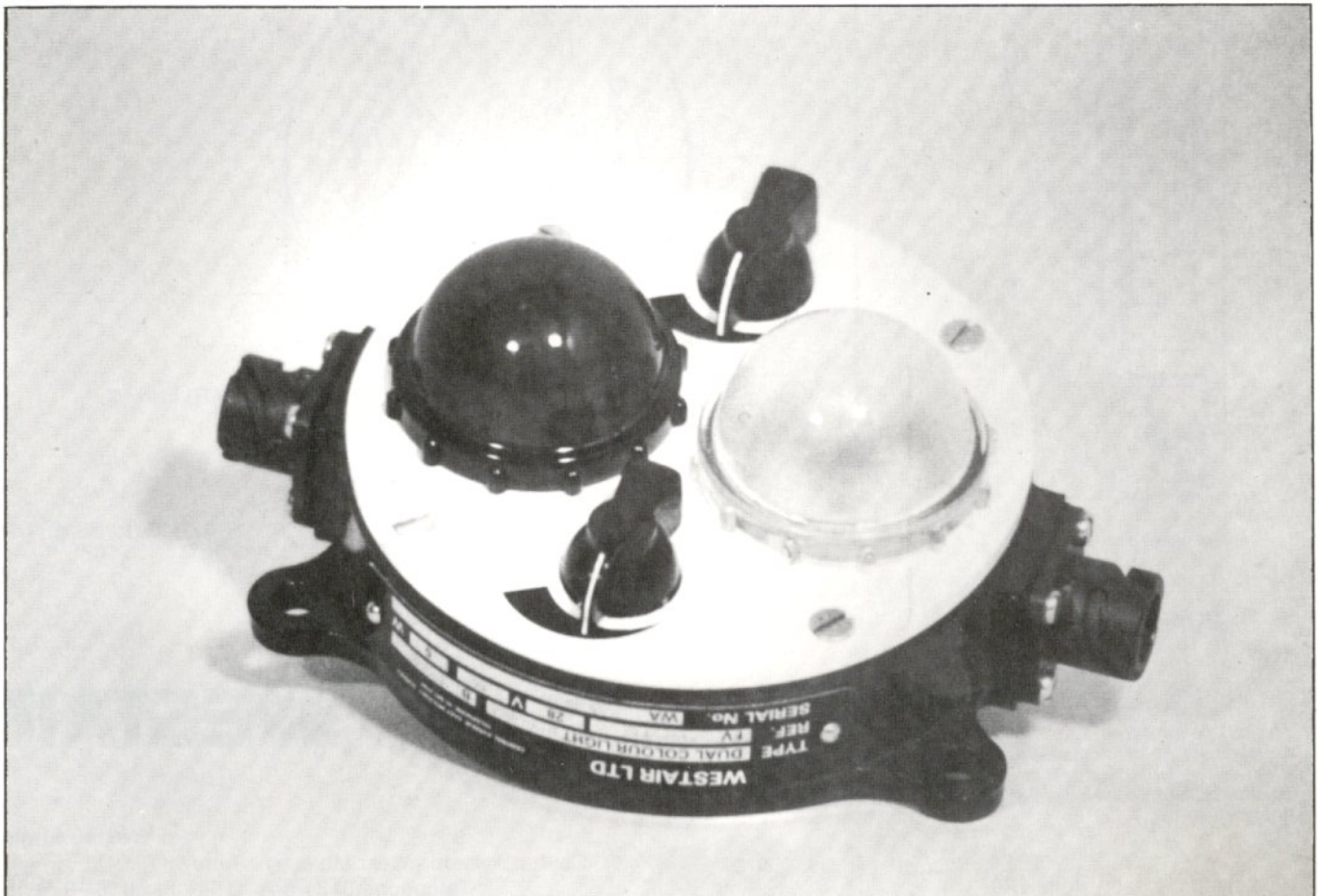
**Installation**

Fixing is by three external lugs having equispaced holes 7mm dia. on a 130mm pitch circle diameter. Adaptor plates can be provided to accommodate other fixing positions.

Supply connectors are fitted as required and provision can be made for connecting several lights in cascade, allowing common control of light choice and dimming from a single command station.

**Bulb changing**

Bulb changing can be carried out by unskilled personnel, as follows: Ensure that the unit is isolated from the supply. Unscrew the polycarbonate domes, replace the bulbs, screw domes back into place.

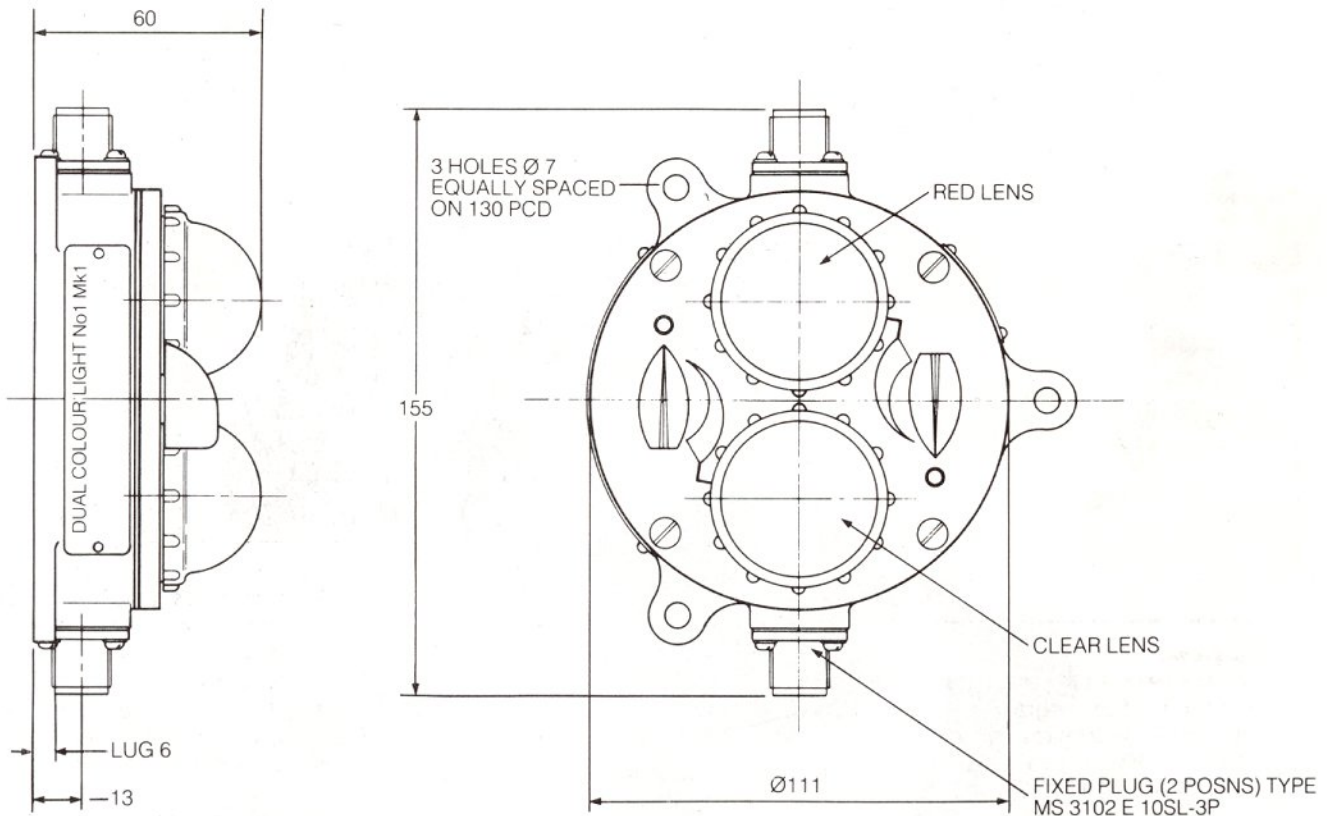


### Technical Details

Diameter (across connectors)	155mm
Height	60mm
Weight	0.28kg
Bulb type	28V filament (B15s/15, 17 or 19 caps)
Operating Temperature	-40°C to 60°C
Storage Temperature	-40°C to 60°C
Supply Voltage	24/28V

### Variants Available

Reference	Dimming	Connectors Number	Type
FV959039(No.1 Mk 1)	Variable	2	MS3102F-10SL-3P
FV988655(No.1 Mk 2)	Variable	2	ABB00T-10SL-3PSN
FV988656(No.2 Mk 1)	None	2	MS3102E-10SL-3P
FV988657(No.2 Mk 2)	None	2	ABB00T 10SL-3PSN
FV988658(No.3 Mk 1)	No dimming. Both lights switched	2	MS3102E-10SL-3P
FV988659(No.3 Mk 2)	No dimming. Both lights switched	2	ABB00T-10SL-3PSN
FV908726	None	2	ABB00T-10SL-3PSN
FV908706	No dimming. Switched	2	ABB00T 10SL-3PSN
B14421	Variable	1	MS3102E-10SL-3P
B14915	Variable from one dimmer	2	ABB00T-10SL-3PSN



All dimensions in millimetres

Westair's policy is for the continuous updating of equipment. As far as possible the information given on a leaflet is correct at the time of printing but may not include the latest design improvements.

# WESTAIR