

WESTAIR

TWIN20

Fluorescent Light Unit

Description

This a twin tubed, radio frequency interference (RFI) suppressed interior light, designed specifically for use in mobile shelters. Many differing voltage combinations can be employed (see table), which makes it suitable for operation in most mobile applications.

Construction

Electrical connections to the control gear for each tube can be (a) through sealed 3 pin fixed plugs at one end of the enclosure or (b) by conduit entry. Each control gear unit comprises the necessary components mounted on the chassis. The fitting can be converted to other supplies if required.

All electrical connections to the tubes are segregated and screened to minimise interaction and to inhibit directly radiated RF interference; each control unit includes RI suppressed capacitors to prevent mains borne interference.

The fitting is finished in gloss white stove enamel. The cover is held in place by three captive screws.

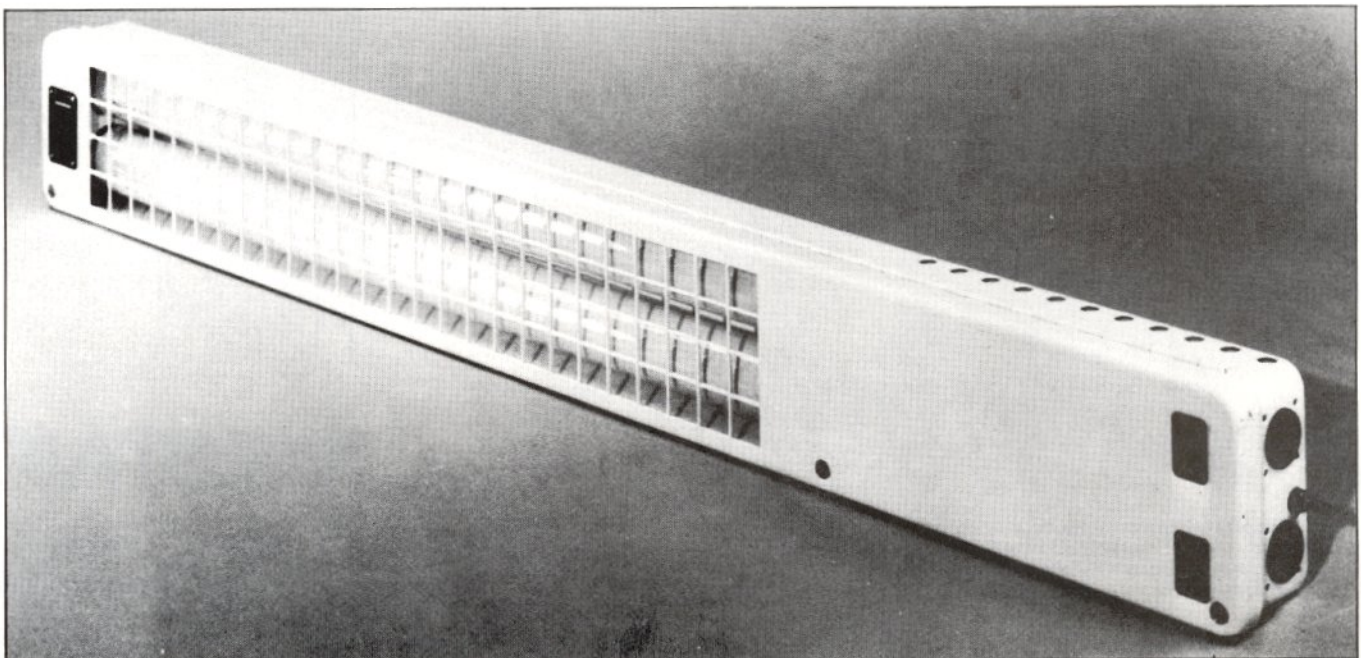
Mounting is via mounting holes in the back of casing, as shown on the diagram.

Testing

The unit has been type tested in accordance with applicable sections of UK Defence specifications FV 2051 and DEF 133, and for RFI suppression RARDE 595.

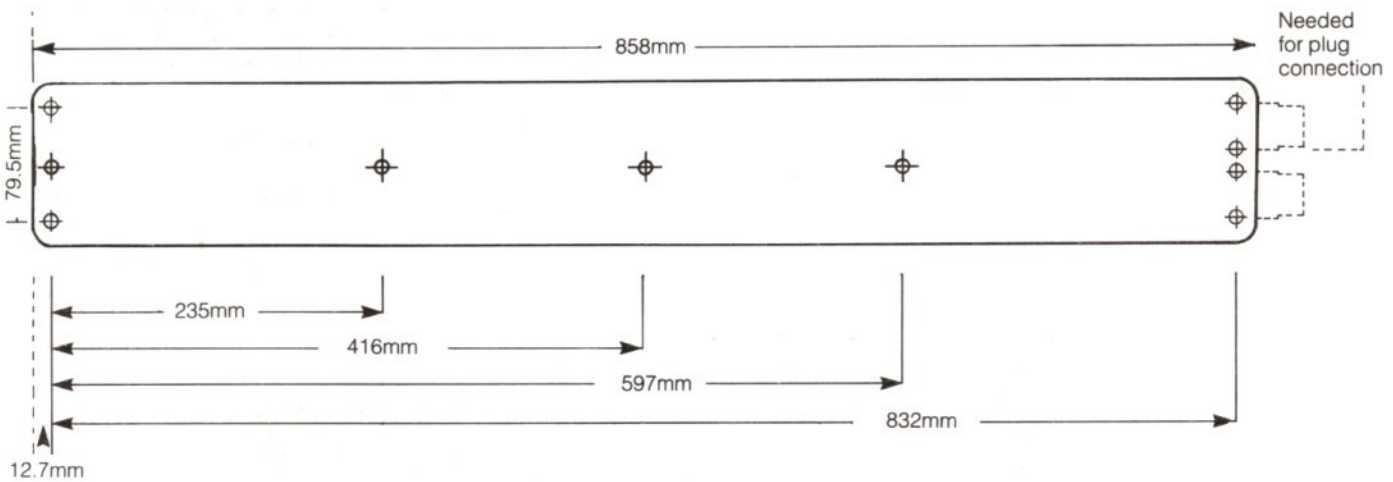
Re-lamping and Servicing

Always ensure that power is off before servicing or re-lamping. Re-lamping can be carried out by unskilled personnel. Undo the securing screws in the cover of the fitting, allowing this to drop on its hinge. Lift and turn the tube clamps and remove connector sleeves to remove tubes. Fit new tubes in the opposite sequence.

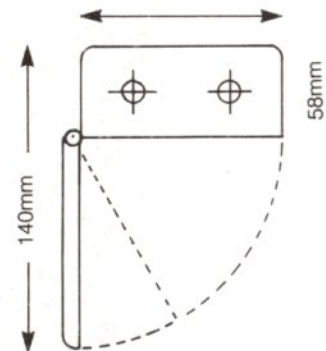


Technical Details

Length	864mm		
Width	105mm		
Height	58mm		
Weight	5.5kg (approx)		
Tube	20W 600mm MCFA	Fluorescent	
Operating Temperature	-20°C to 40°C		
Storage Temperature	-55°C to 70°C		
Supply Voltage	(see below)		
Consumption	240V, approx 90 watts per tube. 24V, approx 18 watts per tube.		
Variations Available	Voltage	FV No.	NATO Stock No.
Conduit Entry	240V 50Hz AC x 24V DV	FV603981	6210-99-193-4889
	110V 400Hz x 110V 400Hz	FV603982	6210-99-620-2819
	240V 50Hz x 240V 50Hz	FV603983	6210-99-199-9849
	24V DC x 24V DC	FV603984	6210-99-655-9534
	24V DC x 110V 400Hz	FV603985	6210-99-220-9746
With Switch	24V DC x 24V DC	C14710	
Connector Entry	24V DC x 24V DC	FV603986	
	110V 400Hz x 110V 400Hz	FV603987	
	240V 50Hz x 240V 50Hz	FV603988	
	24V DC x 24V DC	FV603989	
	24V DC x 110V 400Hz	FV603990	



All fixing holes 4.75mm diameter



WESTAIR

Westair's policy is for the continuous updating of equipment. As far as possible the information given on a leaflet is correct at the time of printing but may not include the latest design improvements.