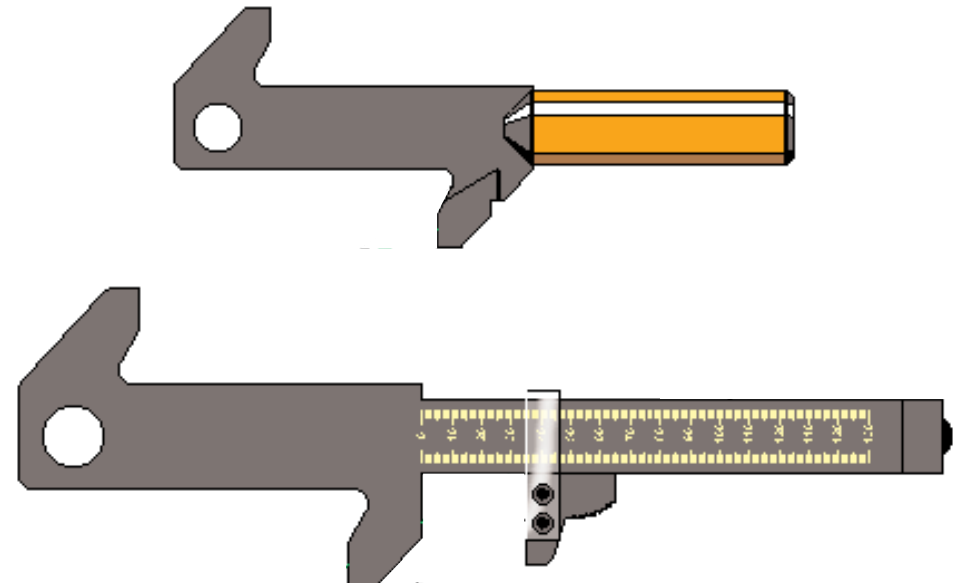


ABTUS

V. M. S.

VERSINE MEASUREMENT SET ABT 4230

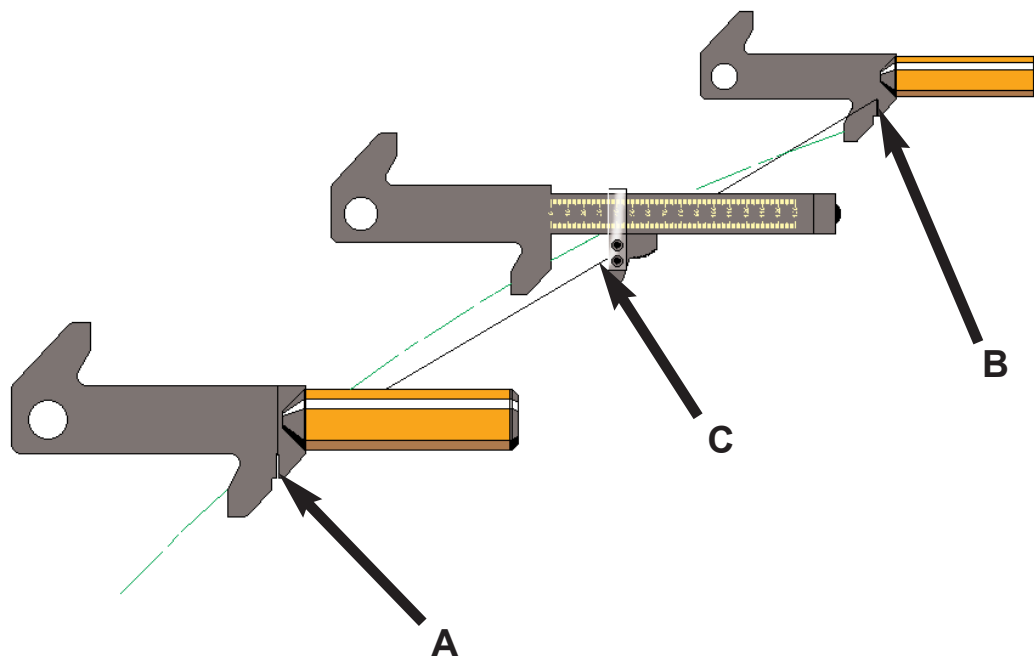
- ~ Directly measures versine, no calculation required
- ~ Calibrated for use with 30, 20 and 10m chord to directly give radius value
- ~ Also calibrated in mm
- ~ Use either way up
- ~ String offset position will avoid formwork etc
- ~ Fully non-conductive construction using GRP and Nylon 6
- ~ Factory calibrated for guaranteed accuracy
- ~ Lightweight



ABTUS Limited, Falconer Road, Haverhill, Suffolk, CB9 7XU.
Tel: +44 1440 702938 Fax: +44 1440 702961 Email: info@abtus.co.uk

INSTRUCTIONS FOR USE

ABTUS 4230 - VERSINE MEASUREMENT SET
[ABT 4230]
INSTRUCTIONS FOR USE



1.0 General Description

The Abtus Versine Measurement Set (VMS) is designed to enable a team of three people to measure the radius of curvature of a track, quickly and effectively, by versine chord calculation.

2.0 Use of Measurement Set

Choose required chord length and unwind string to appropriate marker (10, 20 or 30m).

2.1

Locate chord marker at groove of one of the handles (A), wrap cord three turns around handle to secure.

2.2

Locate string end ring into groove on far handle (B).

2.3

While chord is pulled tight, move slider to touch string (C). Read versine value (mm) from scale or read calculated radius (m) off appropriate scale.

NOTE:

To flip slider to reverse side, slide to base of gauge then rotate.

3.0 Tool Care

Care should be taken to avoid dirt entering the various tool mechanisms, as this may reduce effectiveness. The tool may be cleaned by wiping with a damp cloth. Thinners must not be used.

NOTE:

Gauges may also be used opposite way up.