

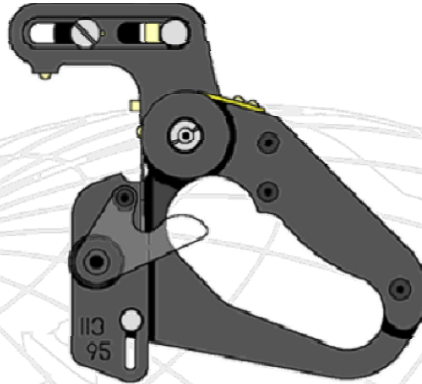


RAIL WEAR GAUGES

ABT4090 NR4 Side-Cut and Railhead Wear Gauge

Other Sizes Available

NP 46KG	- 90lb ARA-A
BV50/SJ50	- 115lb AREA
UIC 54KG	- 119lb AREA
UIC 60KG	- 132lb AREA
75lb	- 133lb AREA
80A	- Others to order



PADS No: 0050/000425



Technical Data

Suitable for 113lb FB, 95lb RBH & UIC60 as standard

Measures side cut - 0mm-18mm

Measures head wear - 0mm-18mm

Locates to worn head centre and rail web

Can be operated with one hand

Moving parts spring-returned after use

May be locked into position

Fits in pocket

Fully non-conductive construction from Nylon 6

ABT4590 NR4 Stepped Sidewear Gauge

PADS No: 057/048899



Technical Data

Capable of measuring all current rail selections and older sections back to and including 85lb RBS Bull Head

The gauge combines cut-outs for 'as new' railhead widths of both 70mm and 72mm into single profile

Contents	-	Multi-Rail profile gauge Incremented stepped gauge Engineers note book Comprehensive instructions Weather proof wallet
----------	---	--