

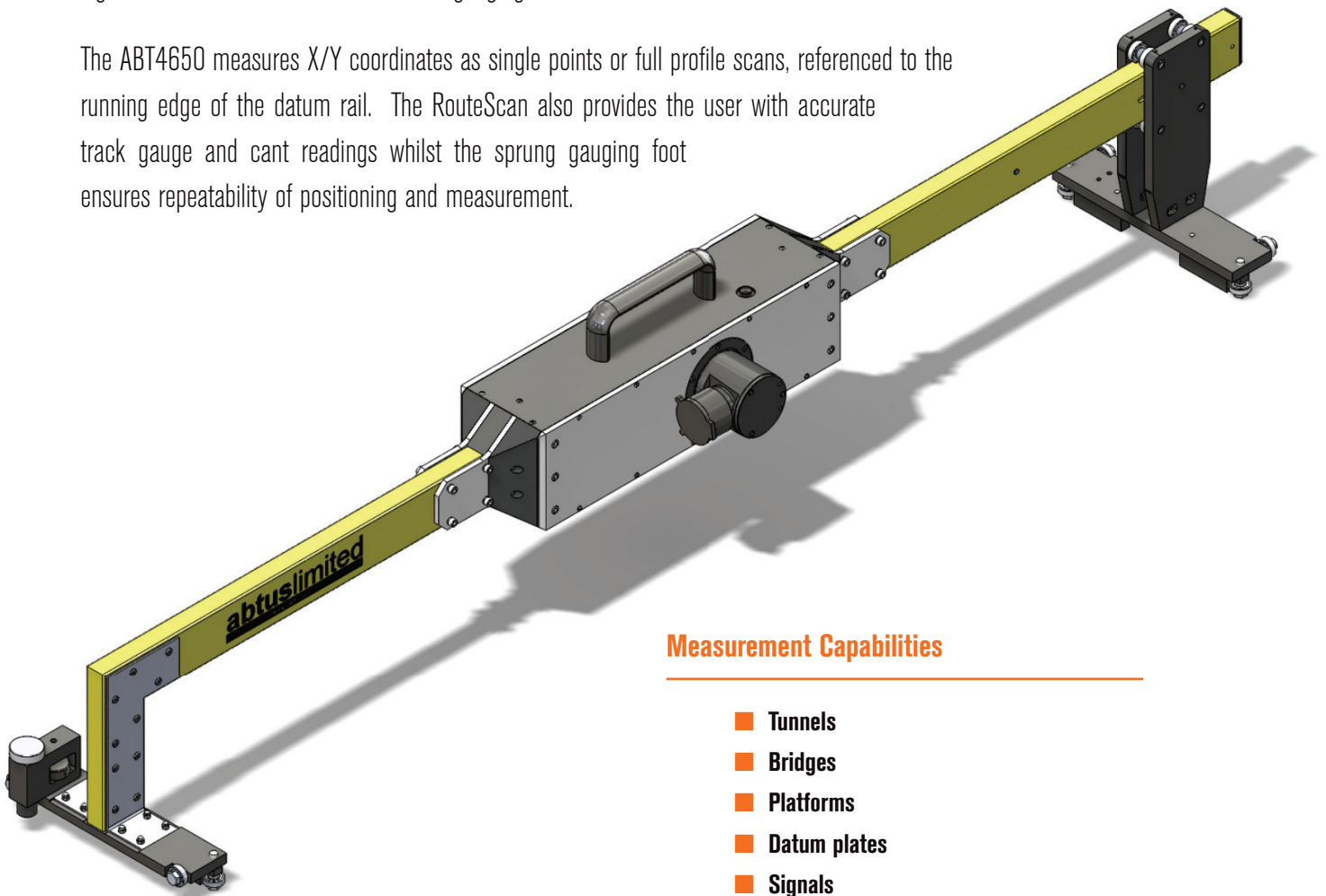


The **Abtus ABT4650 RouteScan** provides quick and accurate structure clearance measurements relative to the Permanent Way through the use of 2D laser scanning technology.

The unit is lightweight, electrically non-conductive and easily transported making it the ideal tool for a highly time pressured rail environment.

Through the use of Bluetooth communication the user can operate the device from a position of safety offering significant benefits over more traditional gauging methods.

The ABT4650 measures X/Y coordinates as single points or full profile scans, referenced to the running edge of the datum rail. The RouteScan also provides the user with accurate track gauge and cant readings whilst the sprung gauging foot ensures repeatability of positioning and measurement.



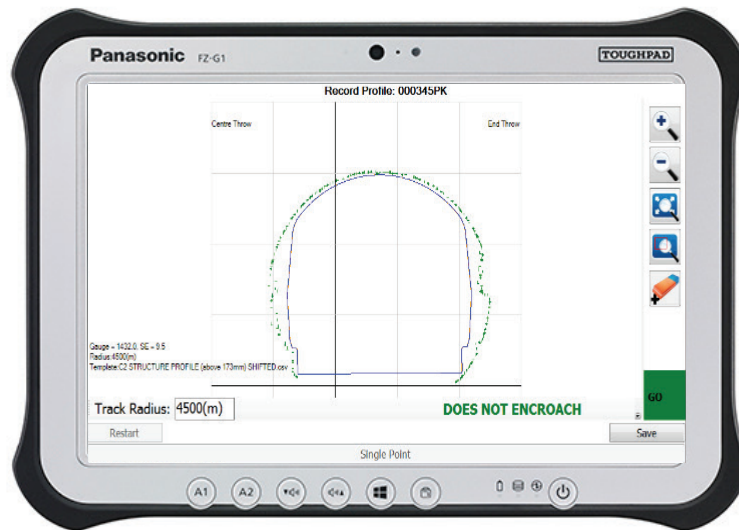
Measurement Capabilities

- Tunnels
- Bridges
- Platforms
- Datum plates
- Signals
- Six-foot and ten-foot rail positions
- Overhead line catenary wire position



The unit is a lightweight 12kg and is supplied with a rugged box for storage and transportation to and from site.

As standard the ABT4650 is provided with a Semi Rugged PDA and Abtus Gauge Interface Software allowing single point and profile scanning. Through extensive development with existing RouteScan customers, Abtus can also supply bespoke clearance software allowing the user to review interference between the scanned structure and a train profile whilst taking into consideration cant and track radius.



Technical Specification

| | | | | | |
|--------|---|---|------------|---|---------------------------------------|
| Weight | - | 12.0Kg | Range | - | 0.2 - 30m |
| Size | - | 1580mm x 330mm x 255mm | Angular | - | Range: 0 - 360° Accuracy: +/-0.09° |
| Cant | - | Range: +/- 200mm Accuracy: +/- 1mm Resolution: 0.1mm | Laser | - | Accuracy: +/-1mm Resolution: 1mm |
| Gauge | - | Range: -15/+25mm from nominal Accuracy: +/- 1mm Resolution: 0.1mm | File Types | - | CSV SCO SCN |