



The ABT 8100 Laser Height & Stagger Gauge is a folding, robust and lightweight tool for measurement of the height and stagger of overhead catenary wire (OHL).

As with all Abtus measurement gauges, the ABT8100 is manufactured from hard wearing and nonconductive GRP and offers a sprung foot ensuring improved user friendliness, repeatability and accuracy of measurements.

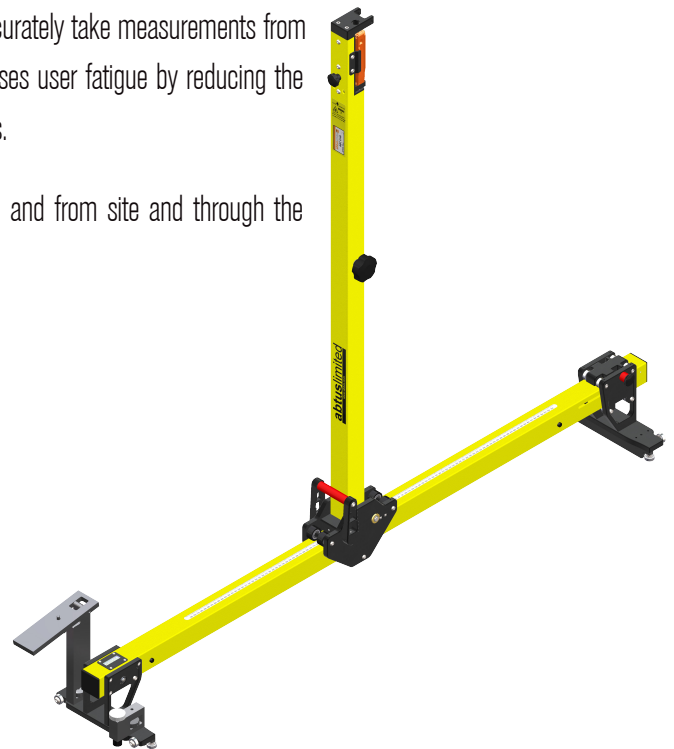
The ABT8100 utilises Hilti's new IP65 rated PD-E Laser Range Meter for height measurements whilst stagger readings are displayed through an easy to read scale directly on top of the gauge body. Cant readings are displayed digitally at the fixed foot end of the gauge.

A key feature of the ABT8100 is the ability for the user to quickly and accurately take measurements from a standing position. This both helps to reduce time on track and minimises user fatigue by reducing the repetitive bending motions experienced with other measurement products.

Provided with an Abtus protective bag the ABT8100 is easy to carry to and from site and through the simple folding mechanism requires minimal set-up time prior to use.

Features

- Fully Insulated
- Back lit for Night/Tunnel Work
- Auto Power Off
- Rail Edge to Face of Structure (REFOS) Bracket
- Hilti PD-E Laser
- Padded Carry Bag



Technical Specification (Nominal 1435mm)

Weight	-	10Kg	Cable Stagger	-	Range: -530mm to +530mm
Size	-	1620mm x 1450mm x 250mm (in use)		-	Accuracy: ± 10mm @ 5m
	-	1620mm x 245mm x 250mm (folded)		-	Resolution: 1mm
Cant	-	Range: ± 199mm	Cable Height	-	Range: 2 – 100m
	-	Accuracy: ± 1mm		-	Accuracy: ± 3mm
	-	Resolution: 0.1mm		-	Resolution: 0.1mm
	-	Expected battery life 12 months			