

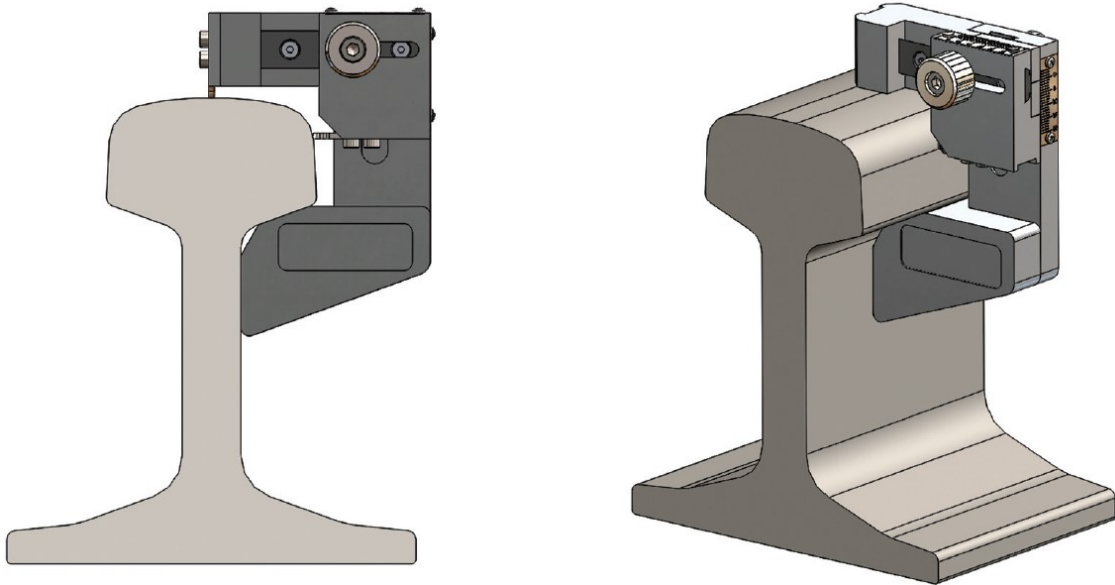


The ABT5200 Magnetic Sidecut & Railhead Wear Gauge is a small, accurate and lightweight tool for the measurement of side and head wear on a variety of standard rail types. The ABT5200 locates within the web of the rail and through the use of two magnets remain fixed in place whilst readings are taken, ensuring accurate measurements through repeatable gauge placement.

The gauge has been designed to allow for measurements on rails where lipping may be present. This has been achieved through allowing the side wear slide to read below zero and a cut away section surrounding the measurement pin.

The ABT5200 is supplied in a protective wallet and is designed to be a pocket-sized measurement tool. The design allows for easy replacement of all major components minimising long-term repair and recalibration costs.

As standard the ABT5200 has been designed to fit BS113A/95A rail types. Additional rail types can be accommodated upon special request.



The ABT5200 has been approved for use by London Underground.

Technical Specification

Weight	-	0.36Kg	Size	-	112mm x 80mm x 49mm
Head Wear	-	Range: -3mm/+20mm Accuracy: ± 1mm Resolution: 1mm	Side Wear	-	Range: -5mm/+20mm Accuracy: ± 1mm Resolution: 1mm
Rail Type	-	Standard: BS113A/95A Custom: Upon Request			